

## **SPECIFICATIONS: 200 CURTAIN WALL SERIES**

### **GENERAL DESCRIPTION**

Ramco 200 Series Curtainwall is an exterior glazed system designed for low rise to slab to slab types of construction. This gasket glazed, weeped system will accept infill material up to 1" thick that is positioned at the frame exterior for minimum metal exposure. A screw applied pressure plate secures the infill material and is available with a thermal isolator to prevent continuous contact between interior and exterior metal. A snap cover conceals fasteners on the pressure plate and allows use of different finishes on interior and exterior exposed surfaces.

200 Series Curtainwall has a face width of 2" and optional depth from 4 1/4" to 6 1/4" through use of variable depth snap covers and back members. It is recommended for use as a total curtainwall system or for high span storefront applications.

Work includes furnishing all necessary materials, labor and equipment for the installation of the aluminum framing system as specified herein.

**NOT** included: Structural support of the framing system.

### **PERFORMANCE REQUIREMENTS**

Structural Performance-Deflection shall be tested in accordance with ASTM E330. Maximum deflection of a member shall not exceed L/175 of its span of 3/4" maximum, and when the load is removed there shall be no evidence of permanent deformation or damage when tested under a load of (SPECIFY) PSF.

### **PRODUCTS/MATERIAL**

Extrusions shall be AA-6063-T5 alloy and temper (ASTM B221 alloy G.S. 10A-T5) with a nominal wall thickness of .125". Fasteners shall be aluminum; stainless steel or zinc plated steel in accordance with ASTM A 164. Glazing gaskets shall be EPDM elastomeric extrusions or vinyl with a fiberglass reinforcement cord to prevent stretching.

### **FINISHES**

All exposed framing surfaces shall be free of scratches and other serious blemishes. Aluminum extrusions shall be given an acid etch, followed by an anodic oxide treatment conforming to the American Architectural Metal Association to obtain a color anodized finish AA-M12C2XA31 class II (clear anodized) or AA-M12C2XA44 class I (dark bronze anodized). Wood grain, black anodize, powder coat and Kynar finishes are available upon request.

### **EXECUTION**

The framing system shall be installed, glazed, and adjusted by experienced workers in accordance with Ramco's installation instructions and the approved shop drawings.

### **CLEANING AND PROTECTION**

After installation all metal surfaces shall be cleaned to remove contaminants. All work shall be protected against damage until approved by the general contractor. Thereafter, it shall be the responsibility of the general contractor to provide protection and final cleaning.

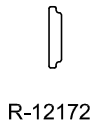
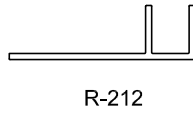
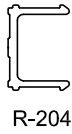
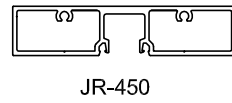
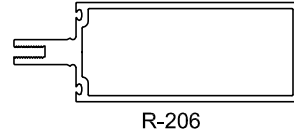
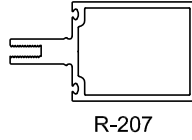
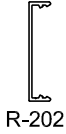
**NOTE:** "Always service All Ways" is our trade mark and to keep up with today's innovations Ramco reserves the right to change specifications without written notice.



RELIABLE ARCHITECTURAL METALS COMPANY

9751 ERWIN STREET  
DETROIT, MI 48213  
PH: 800.445.0263 FAX: 313.924.8877

200 SERIES  
INDIVIDUAL EXTRUSIONS  
1/4 SCALE

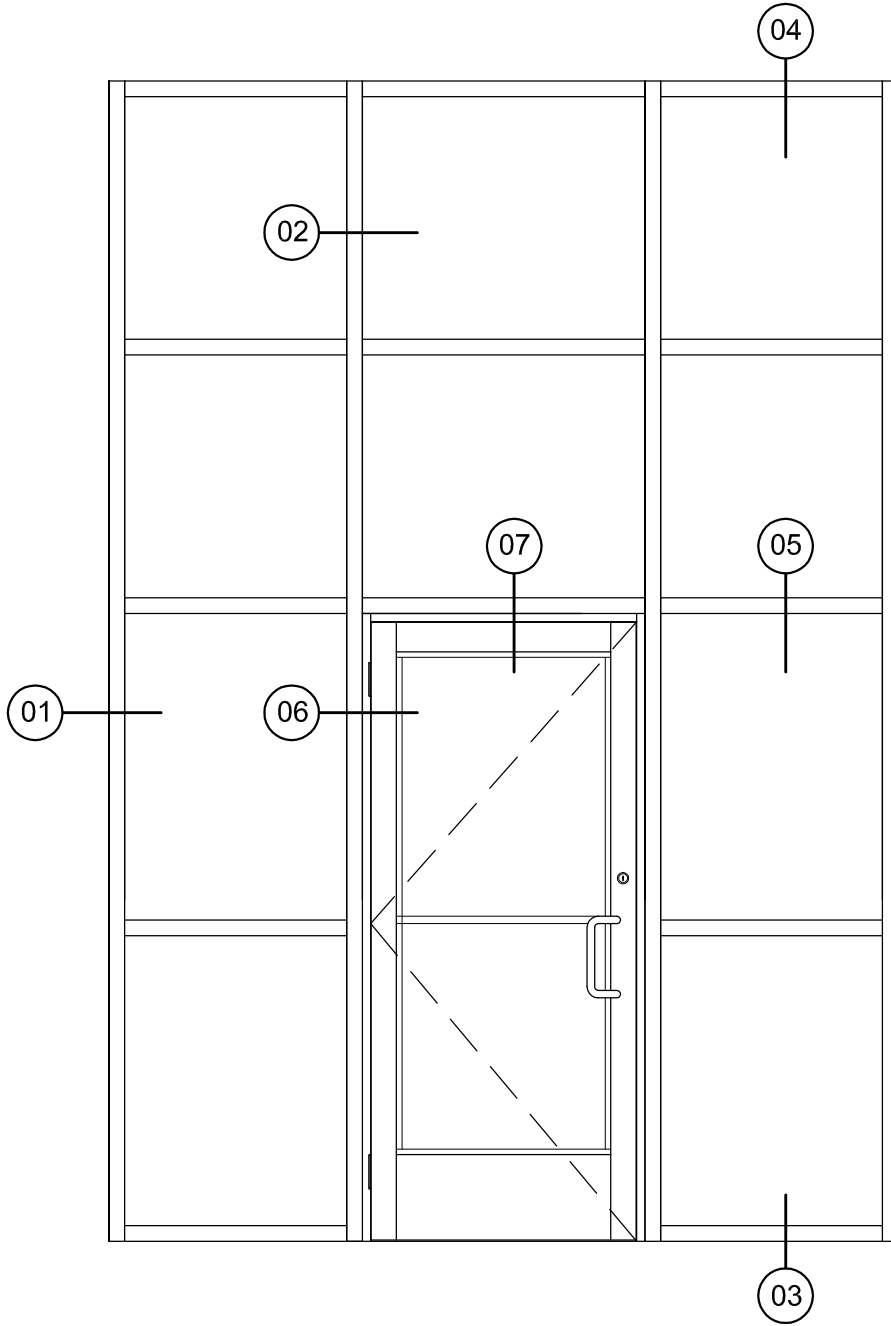




RELIABLE ARCHITECTURAL METALS COMPANY

9751 ERWIN STREET  
DETROIT, MI 48213  
PH: 800.445.0263 FAX: 313.924.8877

**200 SERIES**  
CURTAIN WALL TYPICAL ELEVATIONS  
(1/4" & 1" GLAZING)  
NTS



ELEVATION - A



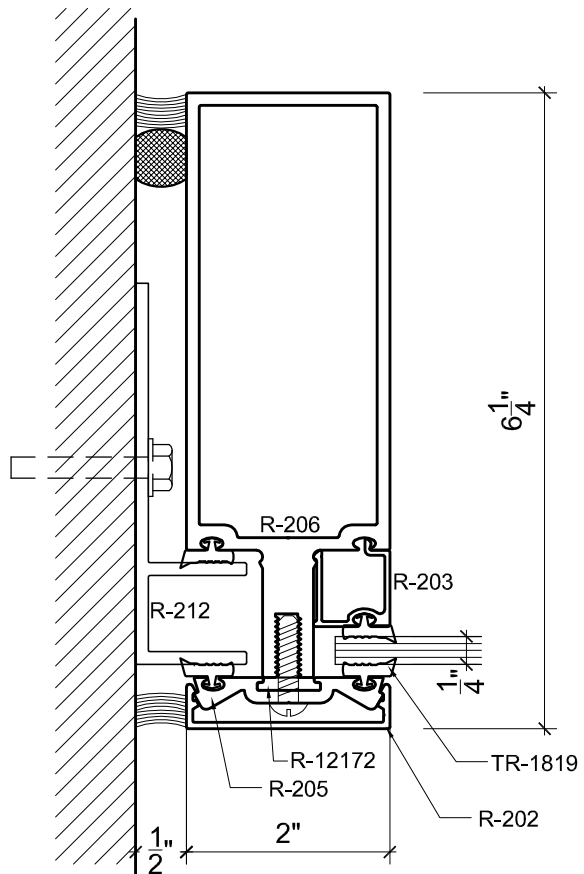
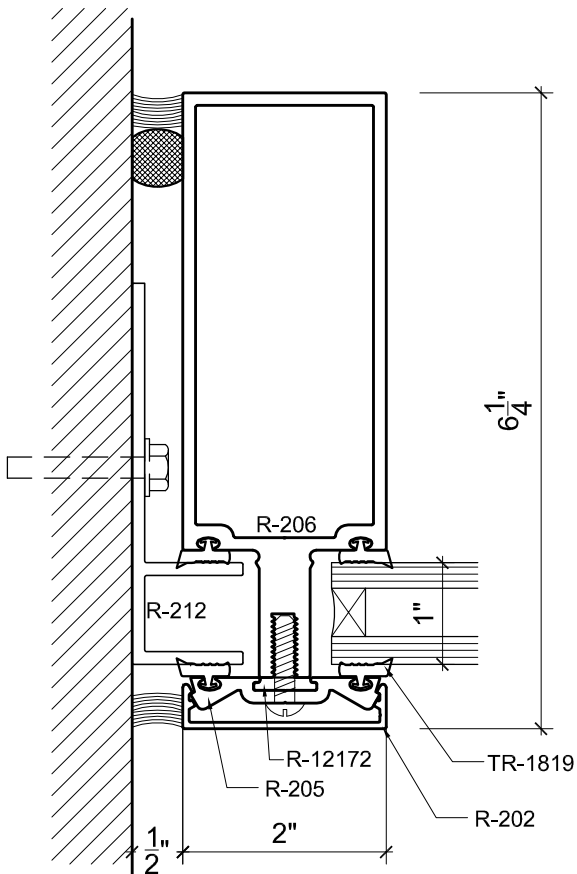
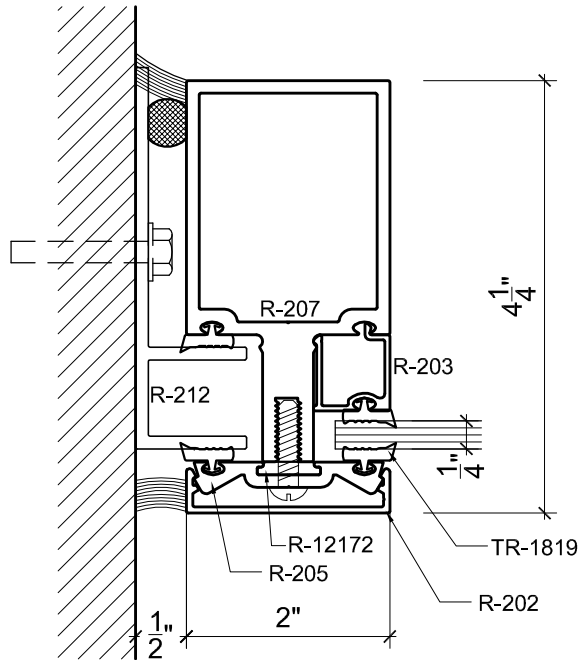
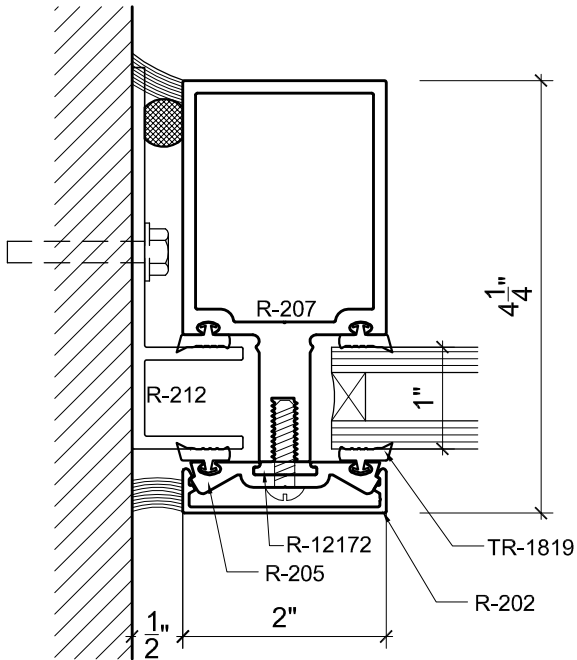
RELIABLE ARCHITECTURAL METALS COMPANY

9751 ERWIN STREET  
DETROIT, MI 48213  
PH: 800.445.0263 FAX: 313.924.8877

# 200 SERIES

DETAILS

1/2 SCALE



SECTION 1



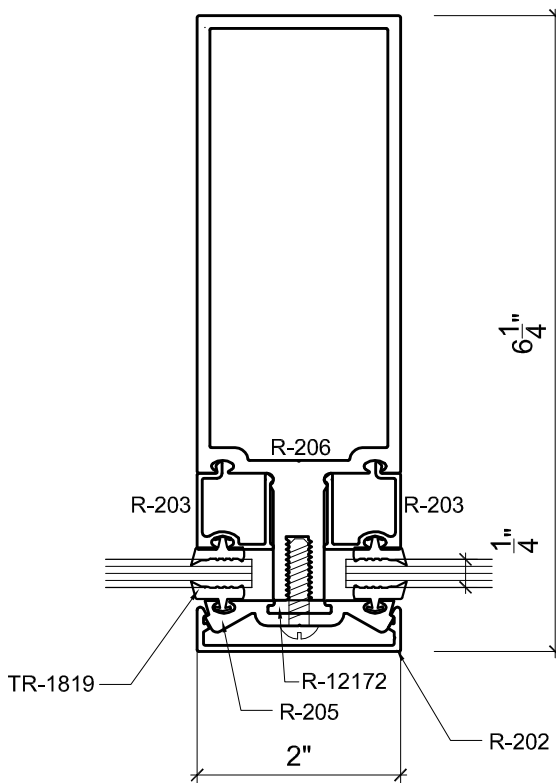
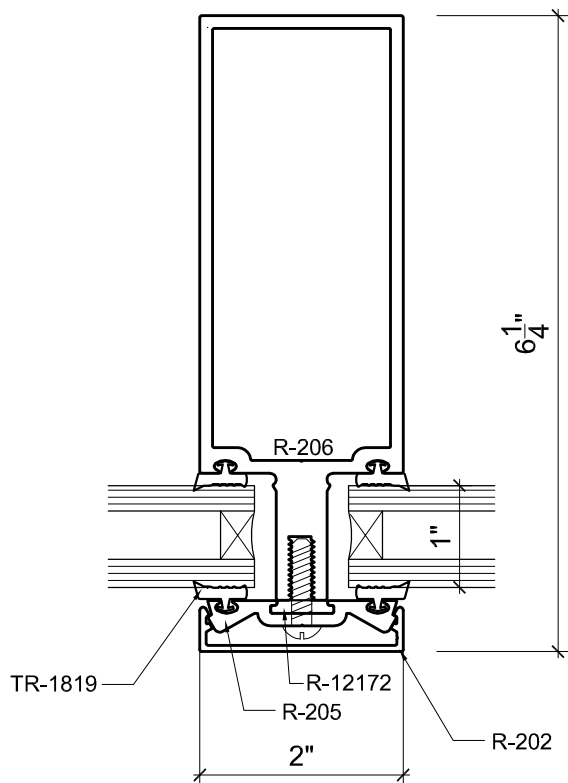
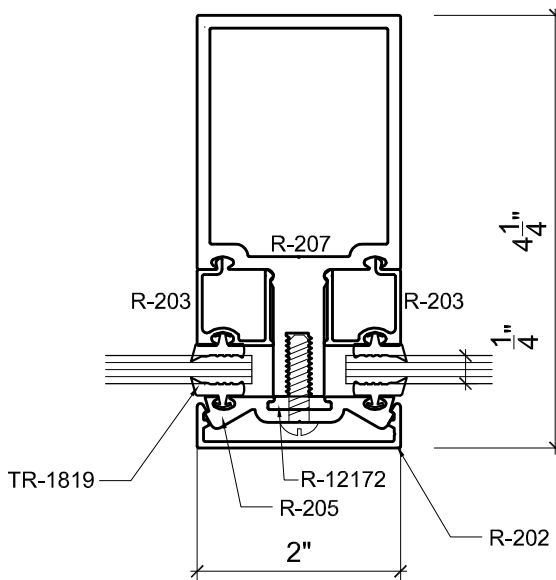
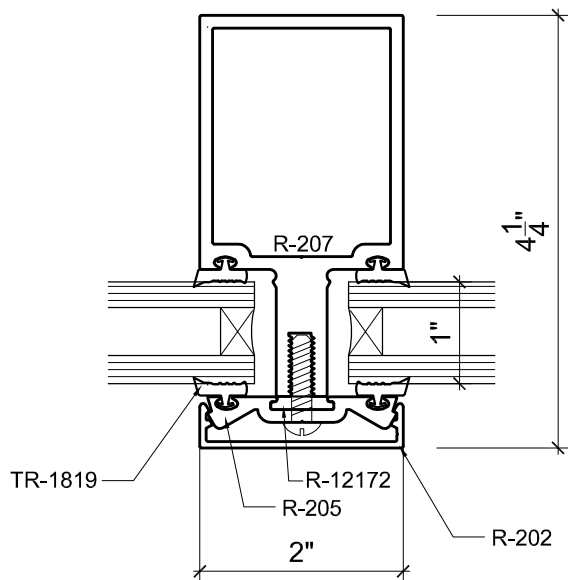
RELIABLE ARCHITECTURAL METALS COMPANY

9751 ERWIN STREET  
DETROIT, MI 48213  
PH: 800.445.0263 FAX: 313.924.8877

# 200 SERIES

DETAILS

1/2 SCALE



## SECTION 2



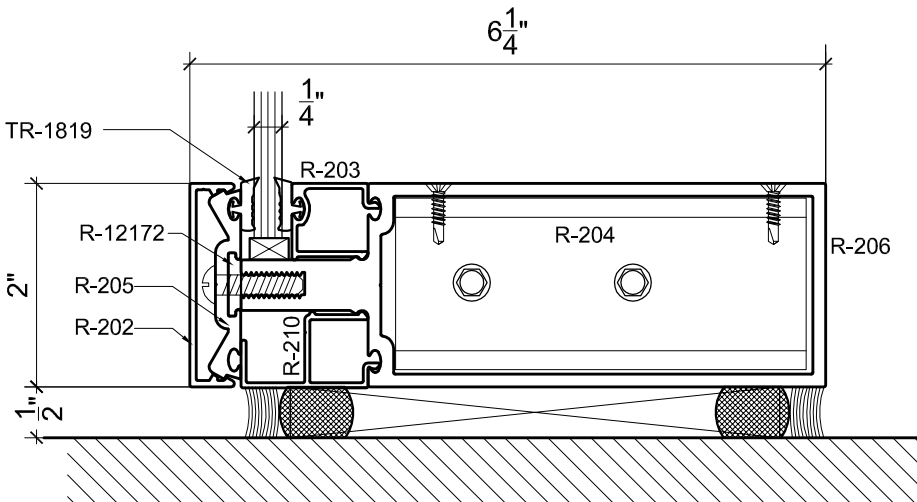
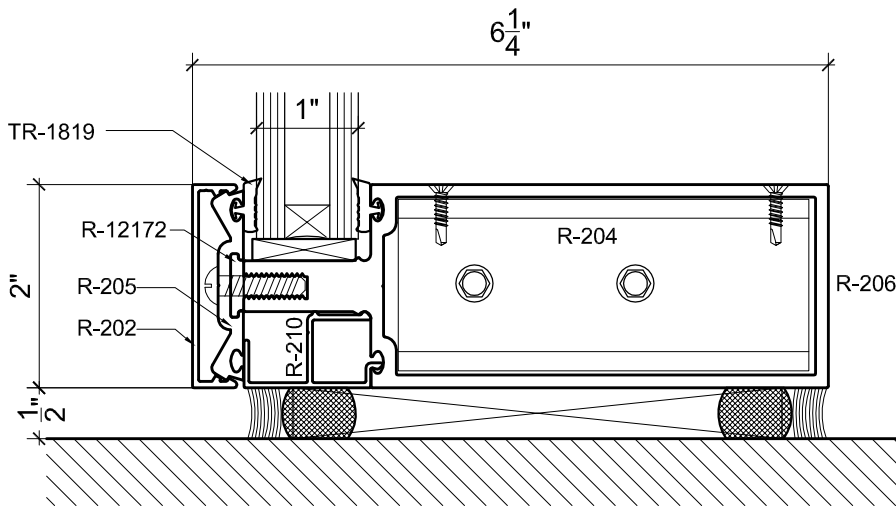
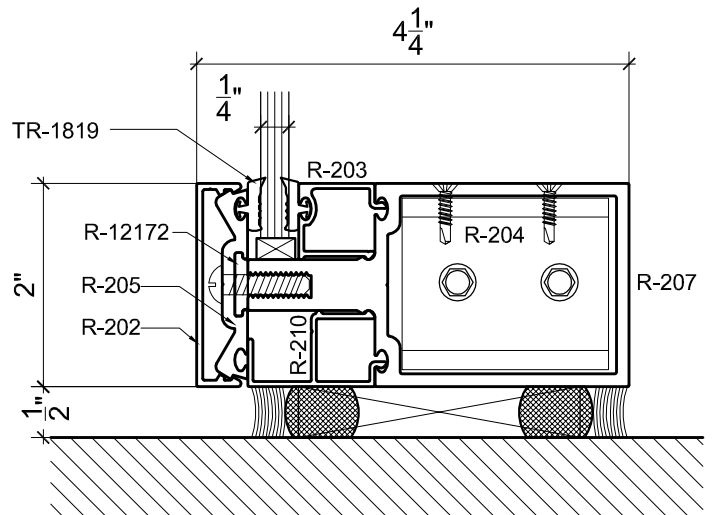
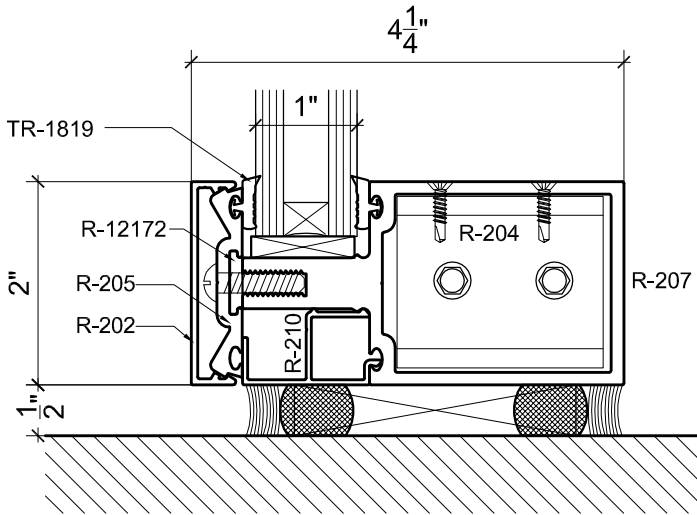
RELIABLE ARCHITECTURAL METALS COMPANY

9751 ERWIN STREET  
DETROIT, MI 48213  
PH: 800.445.0263 FAX: 313.924.8877

# 200 SERIES

DETAILS

1/2 SCALE



SECTION **3**



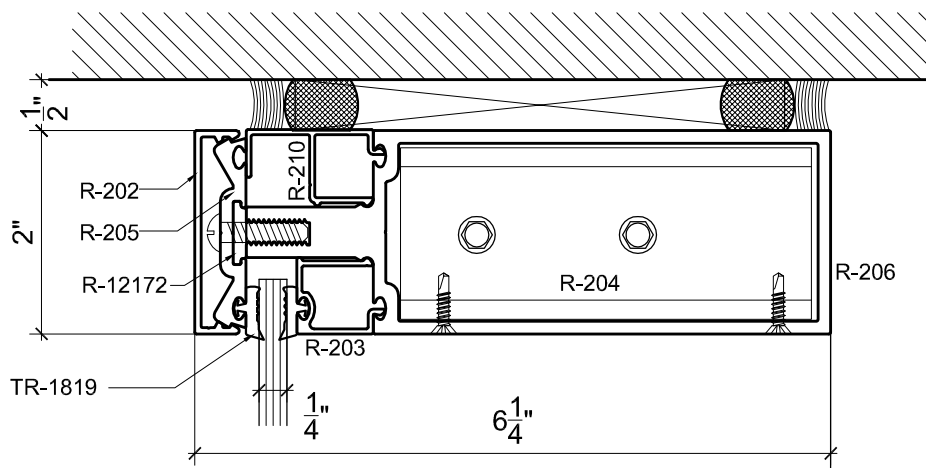
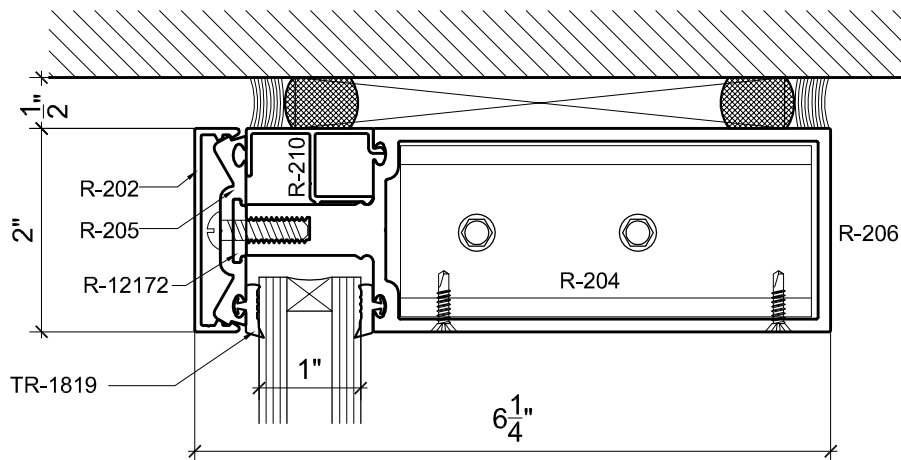
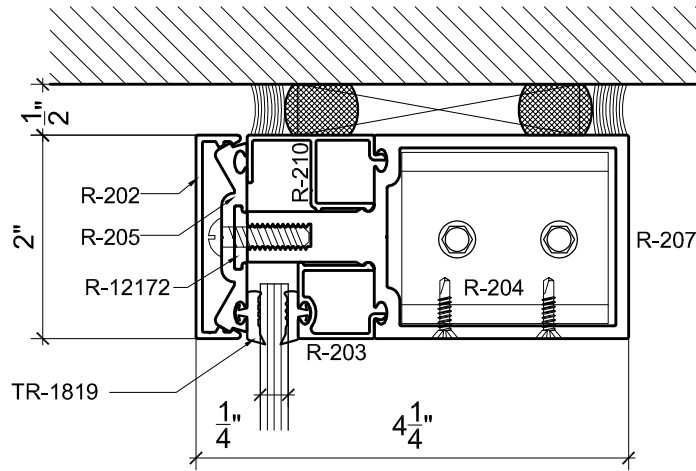
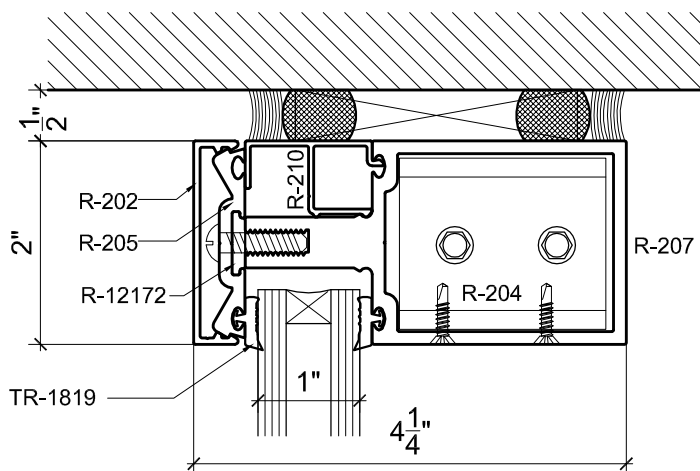
RELIABLE ARCHITECTURAL METALS COMPANY

9751 ERWIN STREET  
DETROIT, MI 48213  
PH: 800.445.0263 FAX: 313.924.8877

# 200 SERIES

DETAILS

1/2 SCALE



## SECTION 4



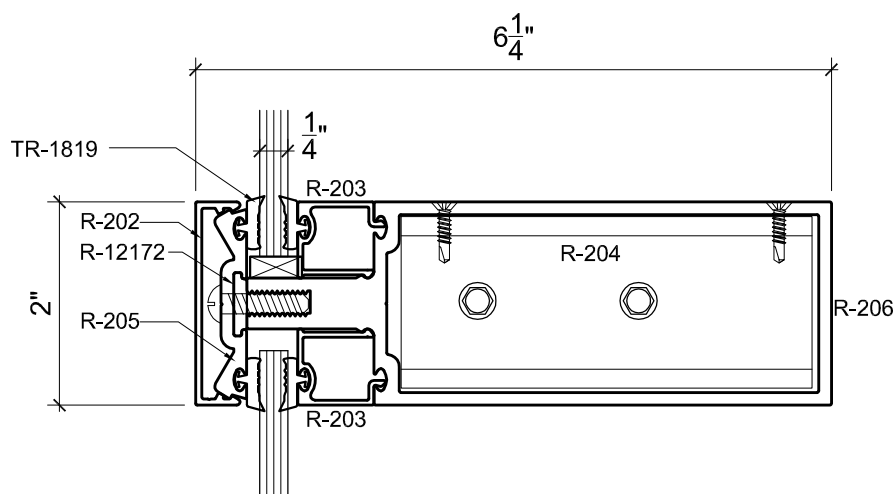
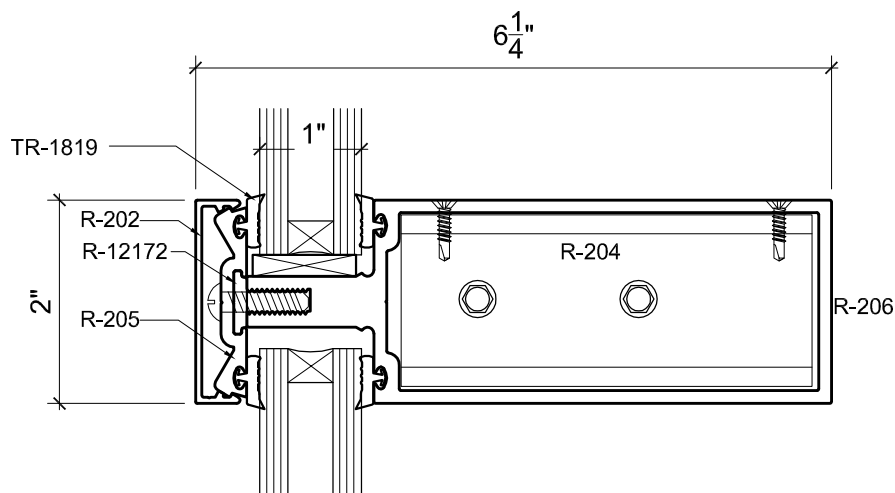
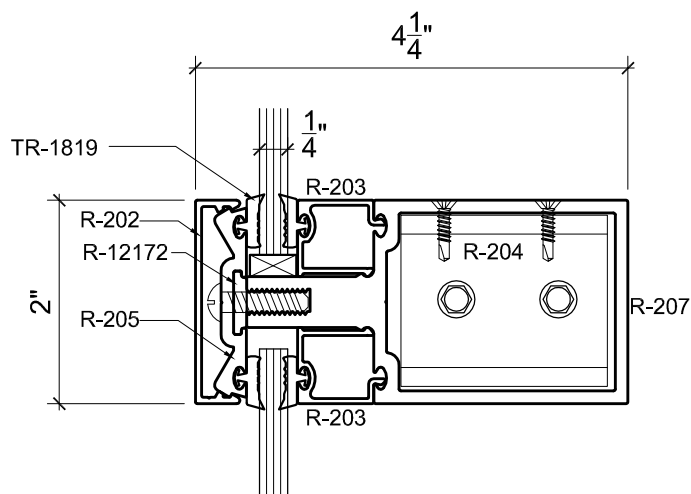
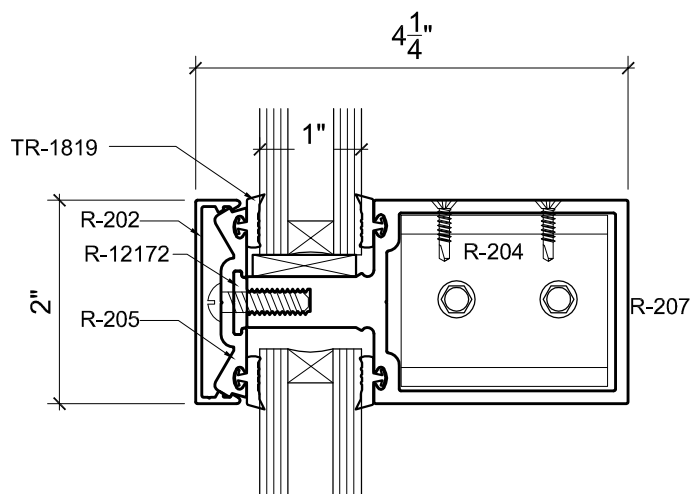
RELIABLE ARCHITECTURAL METALS COMPANY

9751 ERWIN STREET  
DETROIT, MI 48213  
PH: 800.445.0263 FAX: 313.924.8877

# 200 SERIES

DETAILS

1/2 SCALE



## SECTION 5



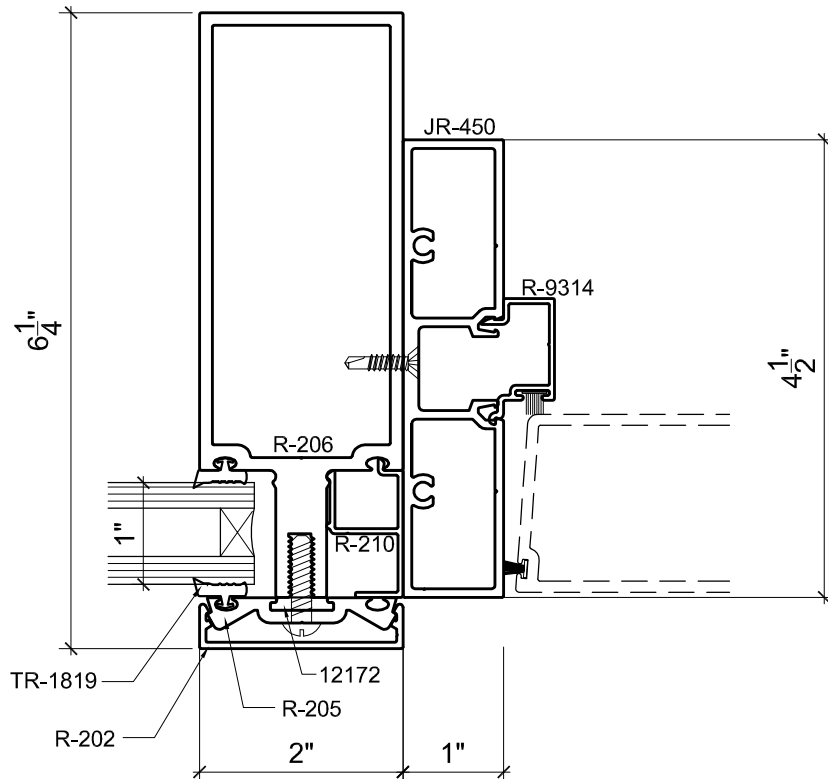
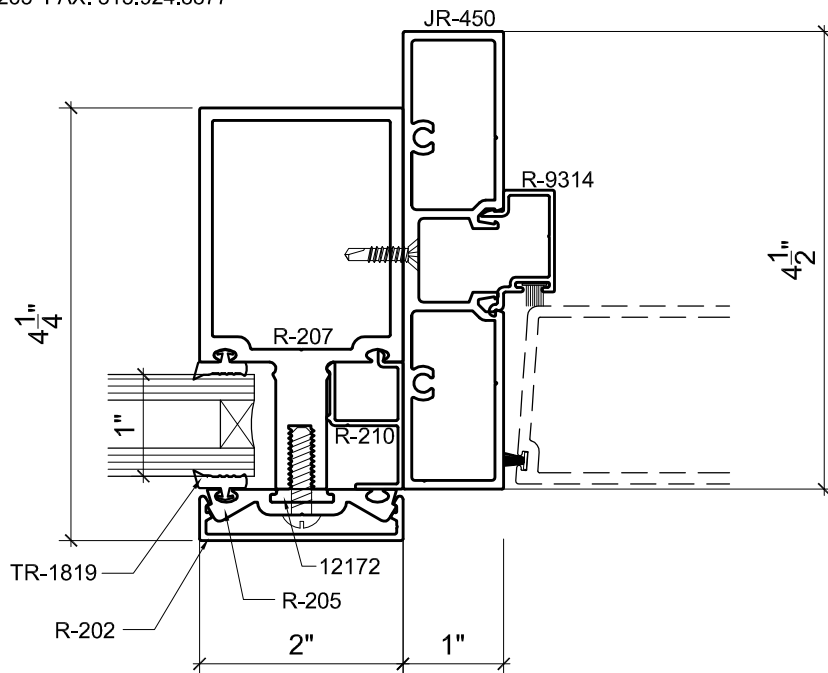
RELIABLE ARCHITECTURAL METALS COMPANY

9751 ERWIN STREET  
DETROIT, MI 48213  
PH: 800.445.0263 FAX: 313.924.8877

# 200 SERIES

DETAILS

1/2 SCALE



## SECTION 6



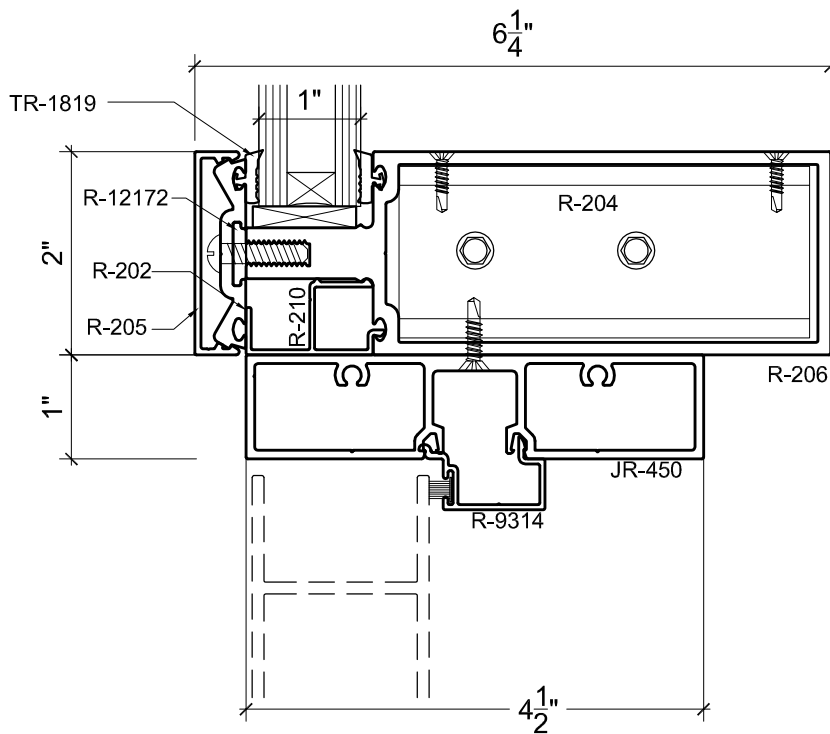
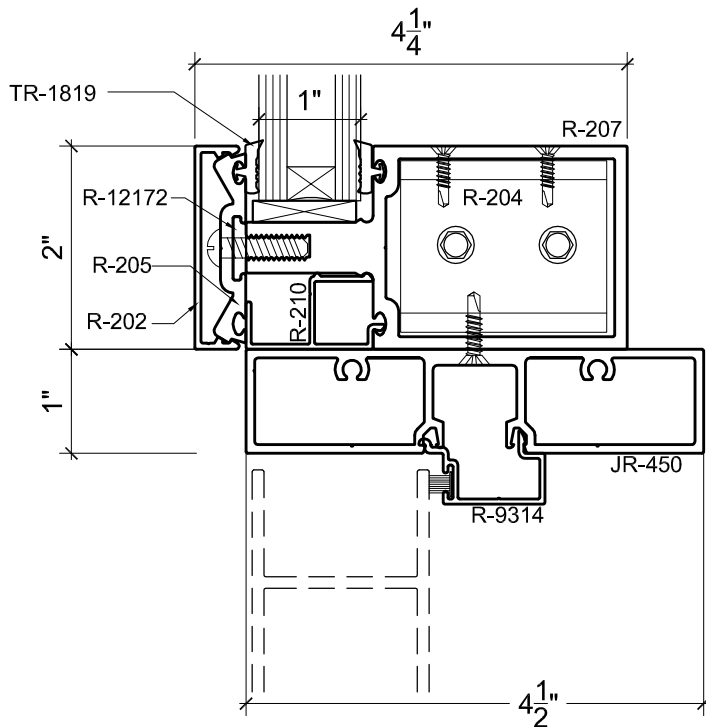
RELIABLE ARCHITECTURAL METALS COMPANY

9751 ERWIN STREET  
DETROIT, MI 48213  
PH: 800.445.0263 FAX: 313.924.8877

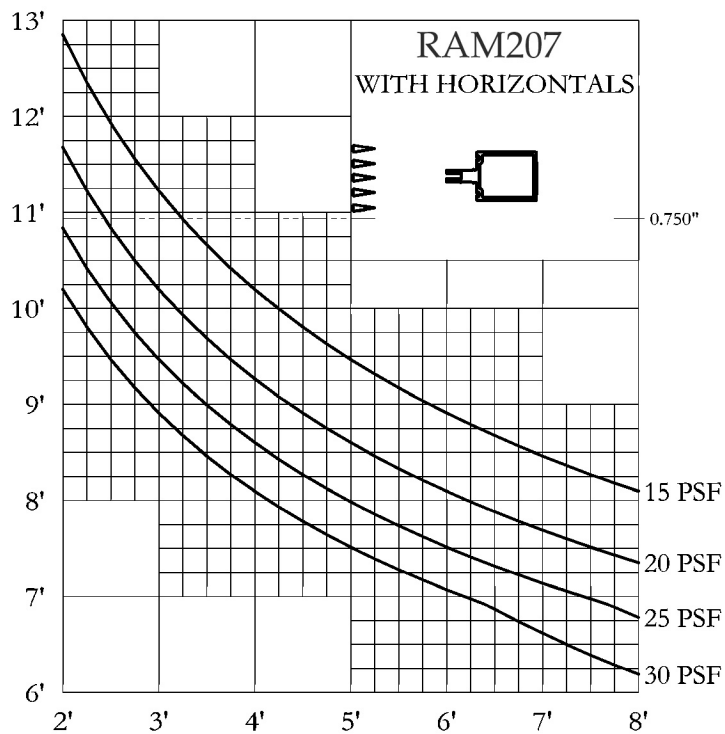
# 200 SERIES

DETAILS

1/2 SCALE

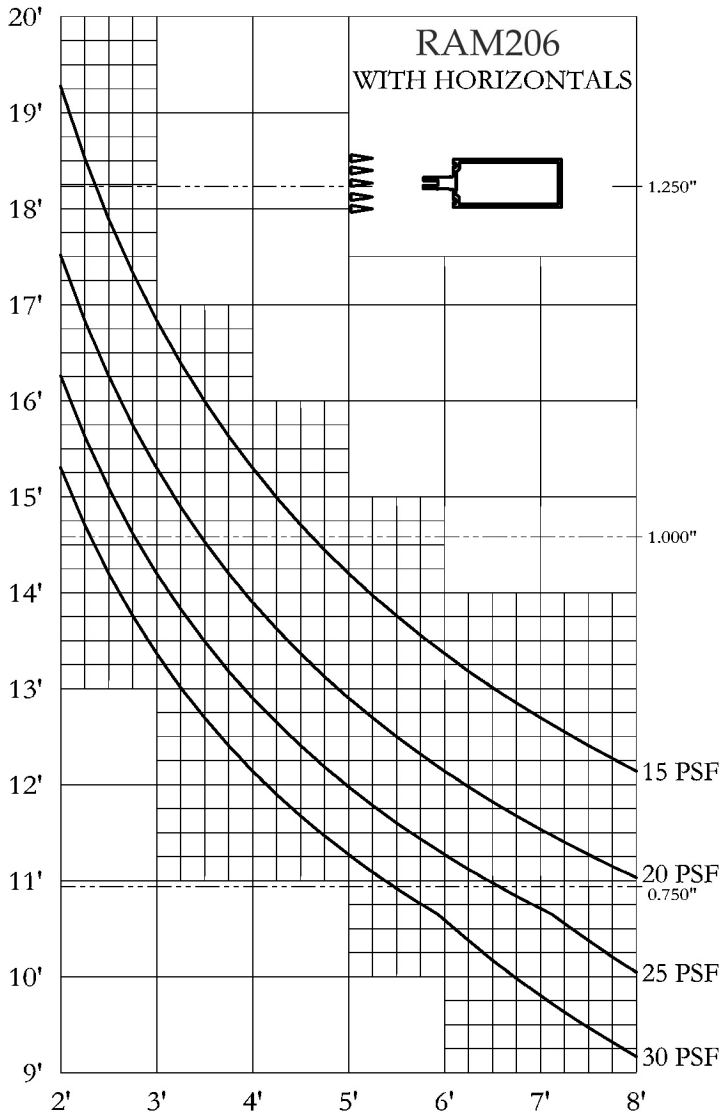


## SECTION 7



#1 THESE WINDLOAD CHARTS ARE BASED UPON THE LESSER OF DEFLECTION RATIO ( $L/175$ ) OR STRESS (12667)

#2 THESE STRUCTURAL CURVES ARE ESTIMATES AND ARE PRESENTED TO THE BEST KNOWLEDGE OF THE WILLIAM L BONNELL CO. IT IS, HOWEVER, THE RESPONSIBILITY OF THE CUSTOMER TO BE SATISFIED THAT THE CURVES ARE CORRECT. THE WILLIAM L BONNELL CO. MAY NOT BE HELD RESPONSIBLE IN ANY WAY FOR THE FAILURE OF PERFORMANCE RESULTING FROM THE USE OF THESE CURVES.



#1 THESE WINDLOAD CHARTS ARE BASED UPON THE LESSER OF DEFLECTION RATIO ( $L/175$ ) OR STRESS (12667)

#2 THESE STRUCTURAL CURVES ARE ESTIMATES AND ARE PRESENTED TO THE BEST KNOWLEDGE OF THE WILLIAM L BONNELL CO. IT IS, HOWEVER, THE RESPONSIBILITY OF THE CUSTOMER TO BE SATISFIED THAT THE CURVES ARE CORRECT. THE WILLIAM L BONNELL CO. MAY NOT BE HELD RESPONSIBLE IN ANY WAY FOR THE FAILURE OF PERFORMANCE RESULTING FROM THE USE OF THESE CURVES.