

MS® Deadbolt

For Aluminum Stile Doors - 1" x 6-7/8" Faceplate

MS1850S Series

ANSI/BHMA Type E8211 (Grade 1)

▼ Cylinder Backset

31/32", 1-1/8" or 1-1/2" only.

▼ Case

Steel with corrosion-resistant plating. 1" x 6" x depth. (Depth varies by backset. See table on back page.)

▼ Function

A huge bolt of laminated stainless steel, nearly three inches long, activated by an uncomplicated pivot mechanism, has made this basic MS® Deadbolt the standard of the narrow stile door industry. The length of this bolt provides maximum security for a single leaf door, even a very tall and flexible one or an installation where the gap between door and jamb is greater than it should be.

▼ Bolt

5/8" x 1-3/8" x 2-7/8" with 1-3/8" throw. Eight ply laminated stainless steel. Center ply has Alumina-Ceramic core to defeat any hacksaw attack, including rod-type "super" hacksaws.

▼ Strike

See back page for dimensions of strike slot which can be cut in metal jamb. Trim plate, box strike and armored strike are also available. (See page SW-16.)

▼ Operation

360° turn of key or thumbturn throws or retracts the counterbalanced bolt. Key can be removed only when bolt is in a positively locked or unlocked position. Lock accepts any standard 1-5/32" diameter mortise cylinder or thumbturn from either or both sides. Cylinder must have MS® dimensioned cam. (See page SW-33.)



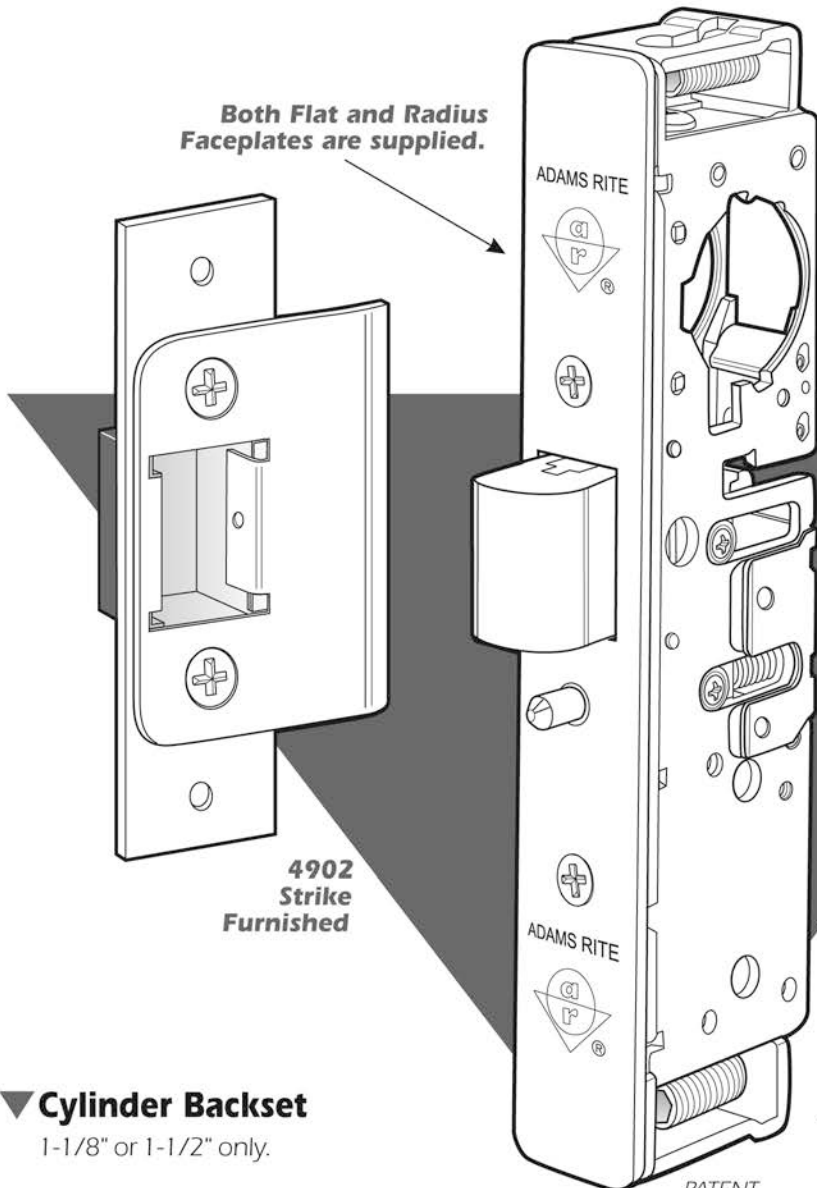
Heavy Duty Deadlatch

For Aluminum Stile Doors

4900 Series

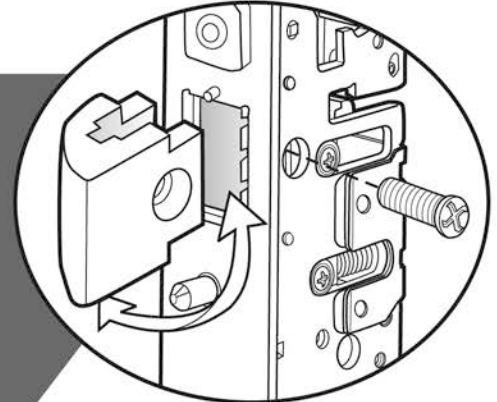
ANSI/BHMA Type E8231 (Grade 1)

Both Flat and Radius Faceplates are supplied.



4902 Strike
Furnished

PATENT
PENDING



Field Reversible
Latch Bolt

▼ Cylinder Backset

1-1/8" or 1-1/2" only.

▼ Case

Steel with corrosion-resistant plating. 7/8" x 5-13/16" x depth. (Depth varies by backset. See table on back page.) Screw-fastened tube spacer brackets allow for cleaner removal when tab mounting.

▼ Function

Flexibility of traffic control and installation is offered by the 4900 Series Deadlatches. A reverse turn of the key while bolt is held retracted retains the bolt, to allow two-way traffic for applications which require free entrance at certain times and exit-only at other times. Interchangeable, without stile modification, with any MS1850A or MS1850S deadbolt of same backset and faceplate shape. Also retrofits to existing 4500/4700 Deadlatch preparations. 1-3/4" minimum door thickness required.

▼ Latch Bolt

5/8" x 1" x 5/8" throw. Solid brass. Handing is easily reversible using only a screwdriver.

▼ Auxiliary Latchpin

Stainless Steel. Deadlocks latch bolt to prevent "loiding" or case-knife entry.

▼ Faceplates

1" x 6-7/8". Both flat and radius faceplates are supplied. Flat faceplates can also be adjusted in the field for right or left beveled edge doors.

▼ Strikes

Standard strike furnished is 4902 for flat jamb where door closes flush or nearly flush. Specify 4901 for retrofit installations. Also available: radius strike for opposite stile in paired doors and long lip strikes for centerhung doors. (See page SW-27 and Electric Strike section.)

▼ Operation

Turn key or operate handle or paddle to retract spring-loaded latch bolt. To hold bolt retracted, push it in and secure by reverse turn of key (see back page). Uses any standard mortise cylinder with MS® cam (see page SW-33).

MS® Deadbolt/Latch

For Aluminum Stile Doors

MS+1890 Series

ANSI/BHMA Type E82101 (Grade 1)

▼ Cylinder Backset

Available in 31/32", 1-1/8" or 1-1/2".

▼ Case

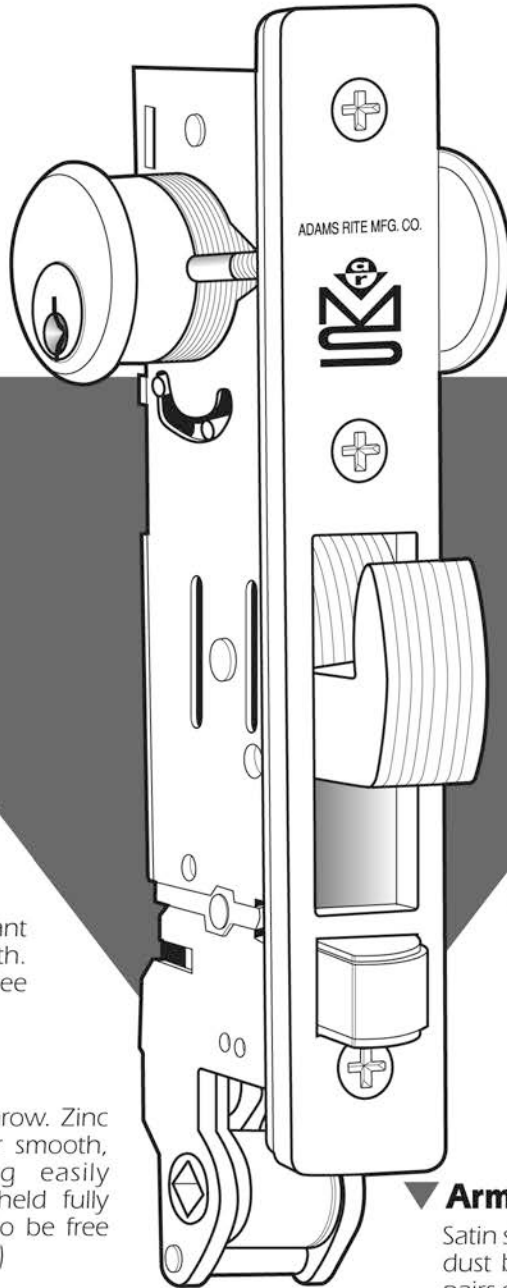
Steel with corrosion-resistant plating. 1" x 7-3/8" x depth. (Depth varies by backset. See table on back page.)

▼ Latch Bolt

5/8" x 5/8" with 7/16" throw. Zinc alloy with Delrin face for smooth, quiet action. Handing easily reversible. Bolt can be held fully retracted to allow door to be free swinging. (See back page.)

▼ Function

Deadbolt Maximum Security after hours plus traffic control convenience for management during the business day. Typical installation is a bank or store requiring three modes of door control: 1. Both lock and latch bolts retracted for unrestricted entry and exit during business hours, 2. Handle-operated latch for exit-only traffic just after closing, and 3. Maximum Security hookbolt for overnight lockup. NOTE: Handle or paddle operates latchbolt only.



▼ Lock Bolt

5/8" x 1-3/8" with 13/16" throw. Eight ply laminated stainless steel. Center ply has Alumina-Ceramic core to defeat any hacksaw attack, including rod-type "super" hacksaws. Hook shape repels prybar attempts.

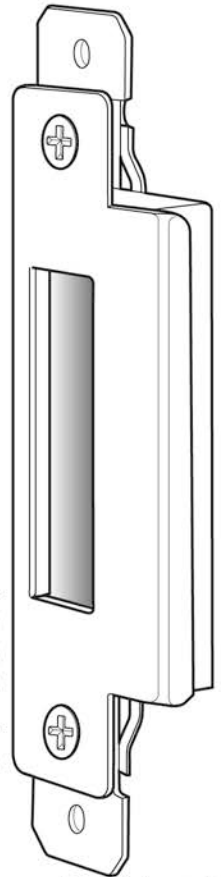
▼ Armored Strike

Satin stainless steel trim plate with steel mounting plate and dust box. Flat strike (shown) furnished. Also available for pairs of doors in radius shape, or flat with square corners for ANSI hollow metal jambs. Flat strikes also available with longer lip. (MS+1890 Deadbolt/Latch cannot be used with electric strikes.)

▼ Operation

360° turn of key or thumbturn throws or retracts the hook-shaped deadbolt. 120° further turn retracts latch bolt as well. Cylinder may be any make standard 1-5/32" diameter mortise type with MS® cam. Handle retracts spring-loaded latchbolt only.

**4505
Armored
Strike**



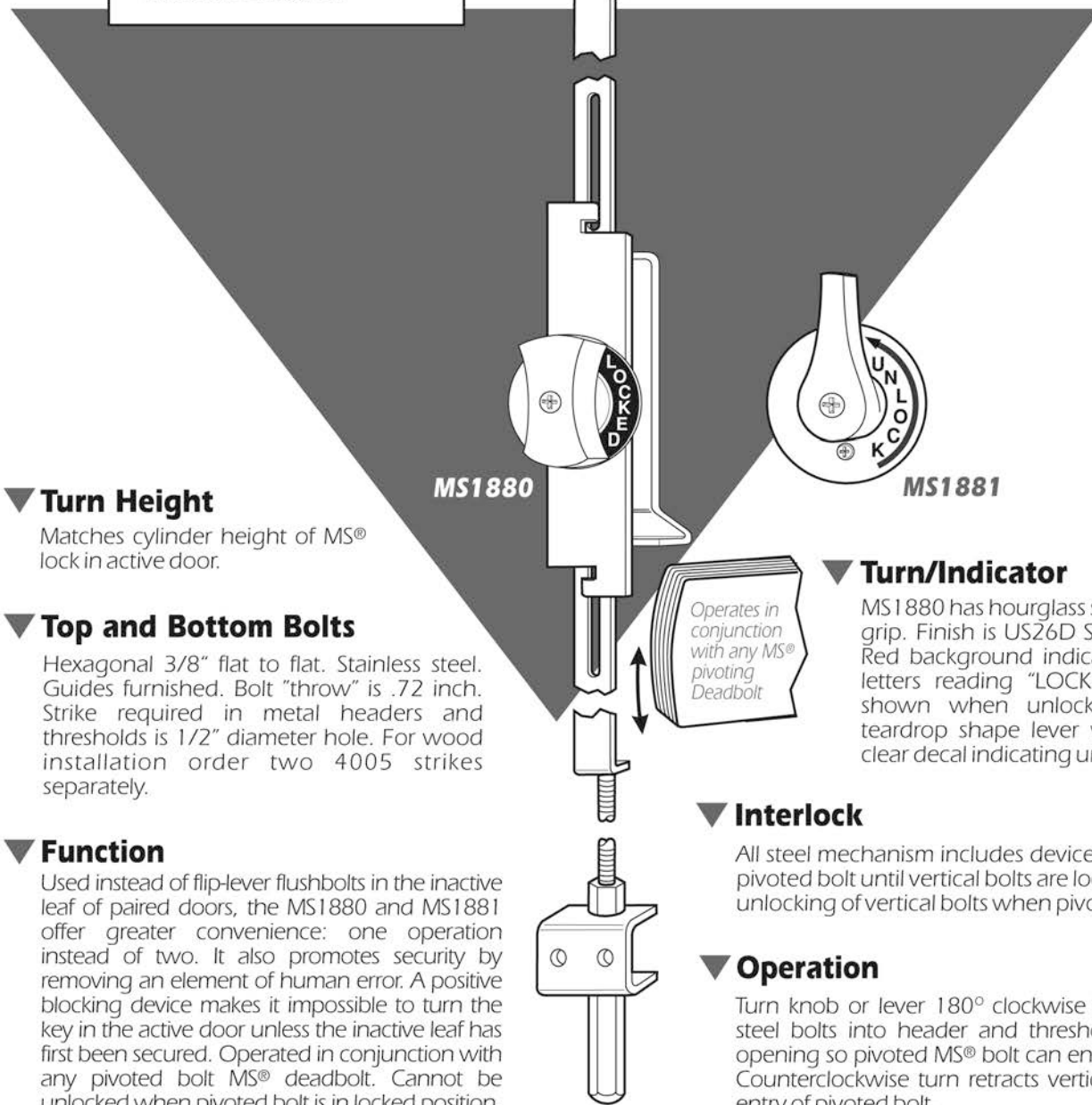
Two-Point Flushbolt

For Aluminum Stile Doors

MS1880, MS1881

Compatible Locks:

MS1850 Deadbolt
MS1850S Deadbolt
MS1850S-050 "Hookbolt"
MS1850SN Deadbolt
MS1850SN-050 "Hookbolt"
1850S-020 Shortbolt
MS1950 Deadbolt



▼ Turn Height

Matches cylinder height of MS® lock in active door.

▼ Top and Bottom Bolts

Hexagonal 3/8" flat to flat. Stainless steel. Guides furnished. Bolt "throw" is .72 inch. Strike required in metal headers and thresholds is 1/2" diameter hole. For wood installation order two 4005 strikes separately.

▼ Function

Used instead of flip-lever flushbolts in the inactive leaf of paired doors, the MS1880 and MS1881 offer greater convenience: one operation instead of two. It also promotes security by removing an element of human error. A positive blocking device makes it impossible to turn the key in the active door unless the inactive leaf has first been secured. Operated in conjunction with any pivoted bolt MS® deadbolt. Cannot be unlocked when pivoted bolt is in locked position.

Not to be used as a stand-alone locking mechanism.

▼ Turn/Indicator

MS1880 has hourglass shape for firm finger grip. Finish is US26D Satin Chrome (682). Red background indicator has aluminum letters reading "LOCKED". (No message shown when unlocked.) MS1881 has teardrop shape lever with red letters on clear decal indicating unlock direction only.

▼ Interlock

All steel mechanism includes device to prevent entry of pivoted bolt until vertical bolts are locked and to prevent unlocking of vertical bolts when pivoted bolt is locked.

▼ Operation

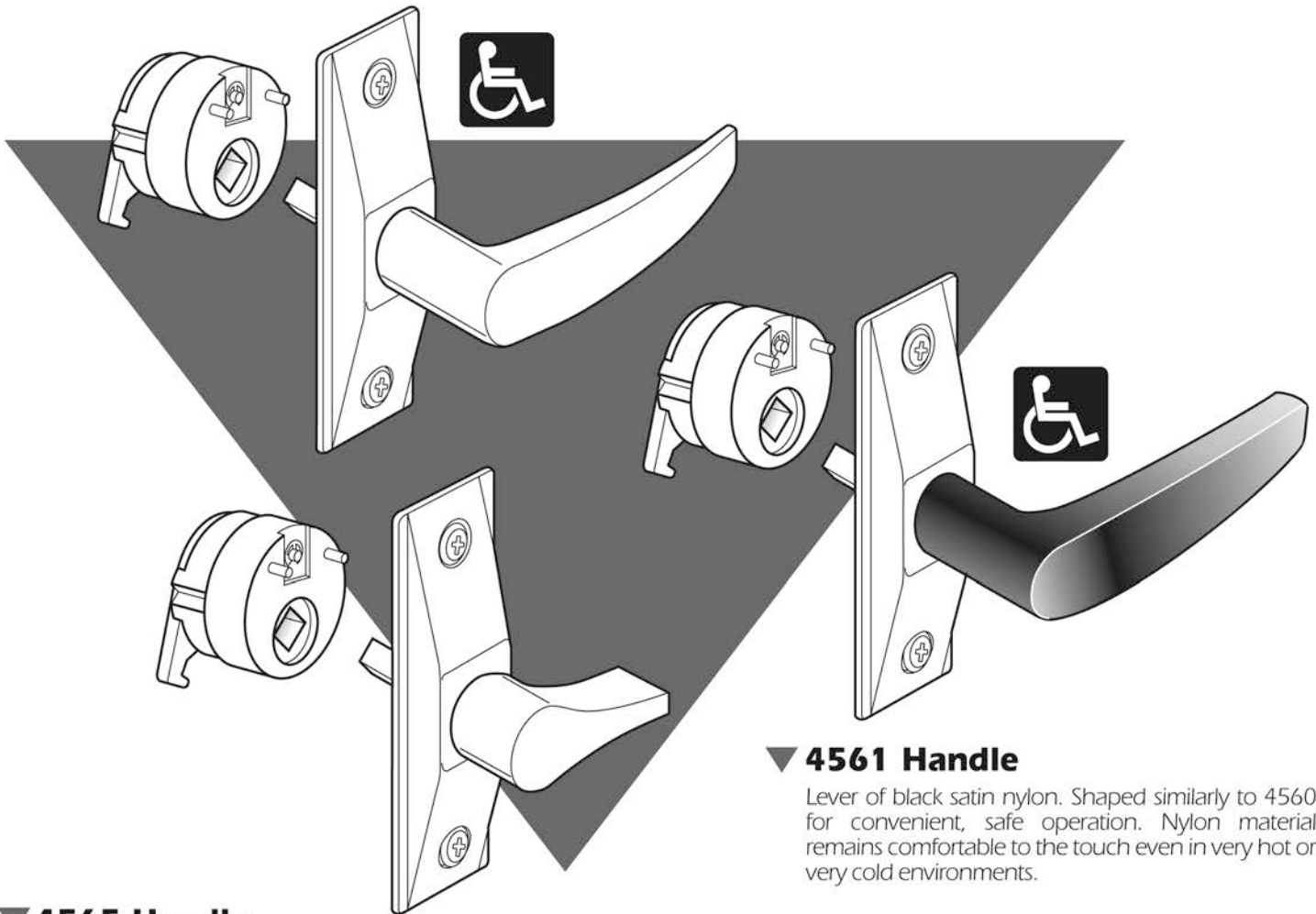
Turn knob or lever 180° clockwise to throw hardened steel bolts into header and threshold and clear strike opening so pivoted MS® bolt can enter from active door. Counterclockwise turn retracts vertical bolts and blocks entry of pivoted bolt.

▼ 4560 Handle

Lever of satin chrome plated zinc alloy is shaped to fit the hand, with a concave thumb-rest portion that tends to keep knuckles and thumb safely away from the jamb, even on a short backset narrow stile.

Deadlatch Handles

4560, 4561, 4565



▼ 4565 Handle

Thumbturn of minimum practical length is designed to offer a firm grip to the fingertips. Ideal for doors where latch is operated infrequently or in emergencies only.

▼ 4561 Handle

Lever of black satin nylon. Shaped similarly to 4560 for convenient, safe operation. Nylon material remains comfortable to the touch even in very hot or very cold environments.

▼ Function

Designed to operate 4500/4700/4900 Series latches by a natural downward hand movement, these handles incorporate an activator cam disc that mounts on the handle escutcheon and fits solidly into the cylinder hole of the latch. Not intended for use as a door pull.

▼ Escutcheons

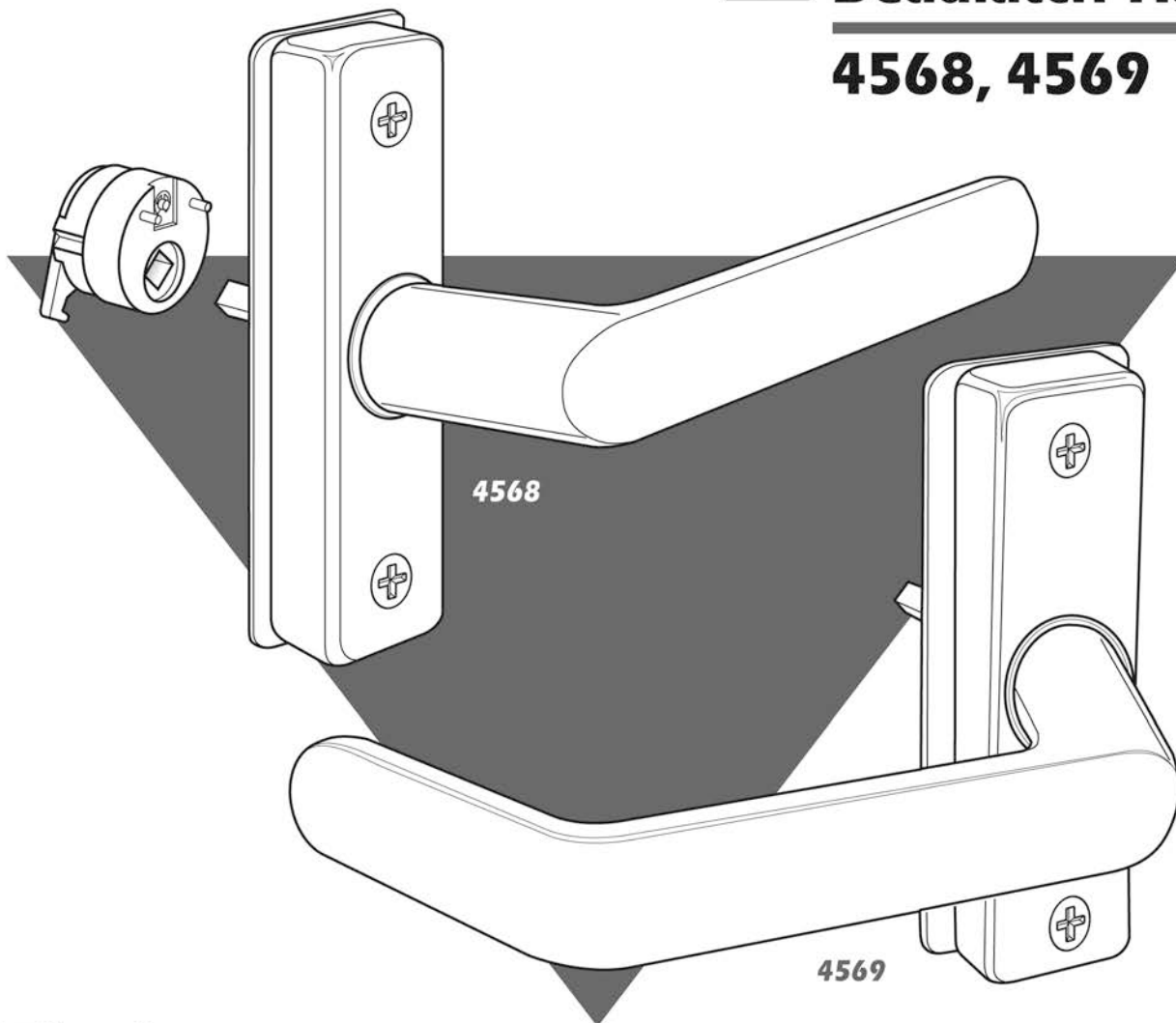
All three handles shown here use the same 1-3/8" x 4" escutcheon. It is designed to match the narrow stile door's clean lines. A 1/4" square heat-treated spindle is part of escutcheon assembly, which interlocks with the cam plug. Finish: Ritecoat 130.

▼ Cam Plugs

Secured in latch body by cylinder setscrew, plug is also rigidly tied to handle escutcheon by hardened steel pins. Handing can be reversed by removing a spring clip, "flopping" the cam and replacing the clip.

Eurostyle Deadlatch Handles

4568, 4569



▼ Escutcheons

1-3/8" x 4", designed to match the narrow stile door's clean lines. Steel mounted base is secured by hidden screws and has two large helical compression springs. (One becomes a "spare" once handling is given.) A 1/4" square heat-treated spindle is part of escutcheon assembly, which interlocks with the cam plug. Finished to match lever.

▼ Function

Designed to operate 4500/4700/4900 Series latches by a natural downward hand movement. These handles incorporate an activator cam disc that mounts on the handle escutcheon and fits solidly into the cylinder hole of the latch. Not intended for use as a door pull.

▼ Cam Plugs

Secured in latch body by cylinder setscrew, plug is also rigidly tied to handle escutcheon by hardened steel pins. Handing can be reversed by removing a spring clip, "flopping" the cam and replacing the clip.

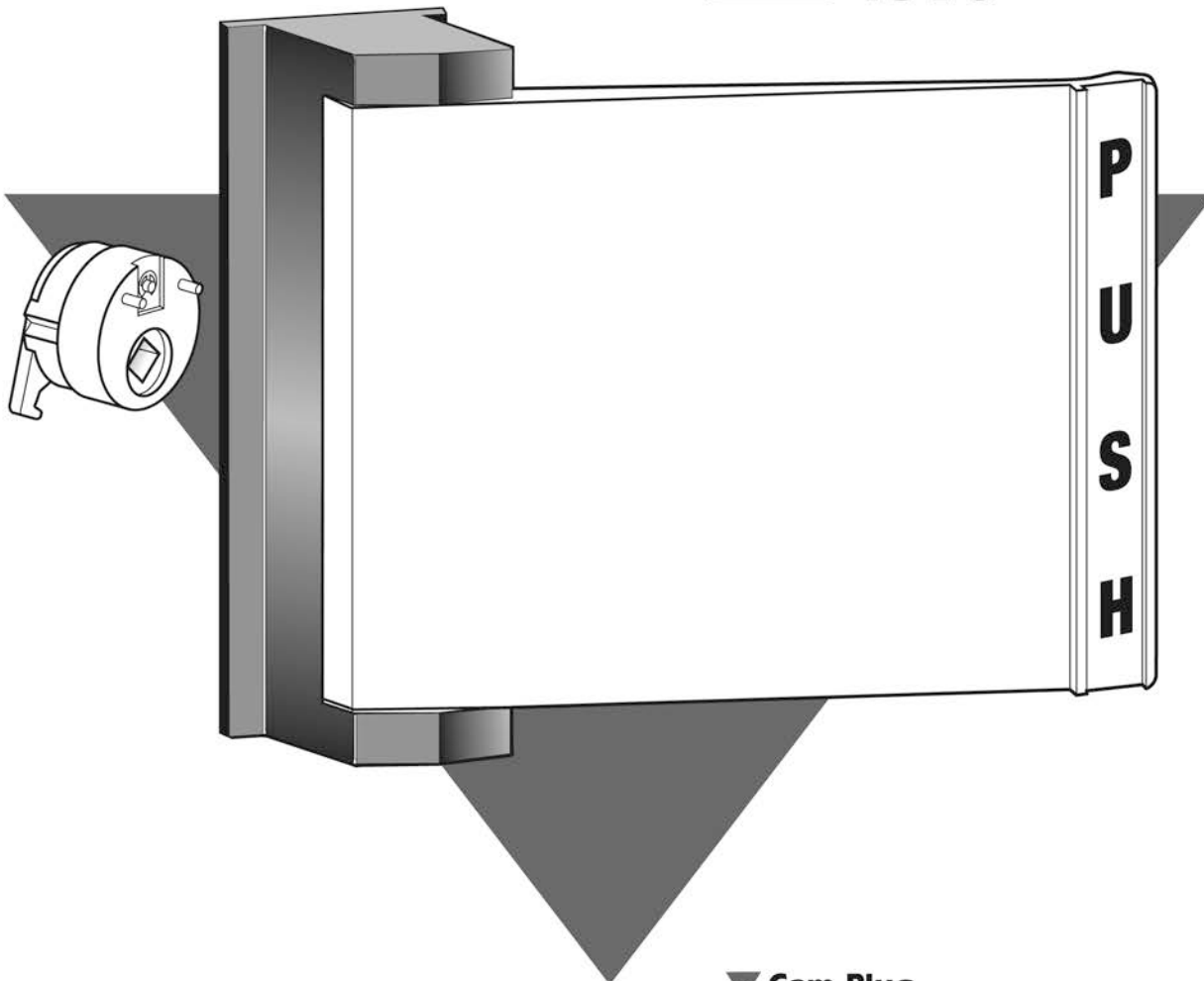
▼ Levers

Lever of cast aluminum, in choice of 130 Satin Aluminum, 121 Dark "Bronze" or 119 Black. Modern European styling offers a generous hand grip with shank offset away from the narrow stile jamb for hand safety. 4569 has return end to meet anti-snag code requirements.



Deadlatch Paddle

4590



▼ Paddle

Extruded aluminum, 628 Clear Anodized finish (US28), 313 Dark Bronze Anodized and 335 Black Anodized.

▼ Function

An alternative to knob or lever handles. Makes opening a latched door as natural as opening an unlatched one - just push or pull in the direction the door swings. Available for any Adams Rite Series 4500/4700/4900 deadlatch or MS+1890 lock/latch.

▼ Cam Plug

Furnished for use with Series 4500/4700/4900 latches. (Not used with MS+1890 lock/latch.) Secured in latch body by cylinder setscrew, plug is also rigidly tied to escutcheon by hardened steel pins.

▼ Escutcheon

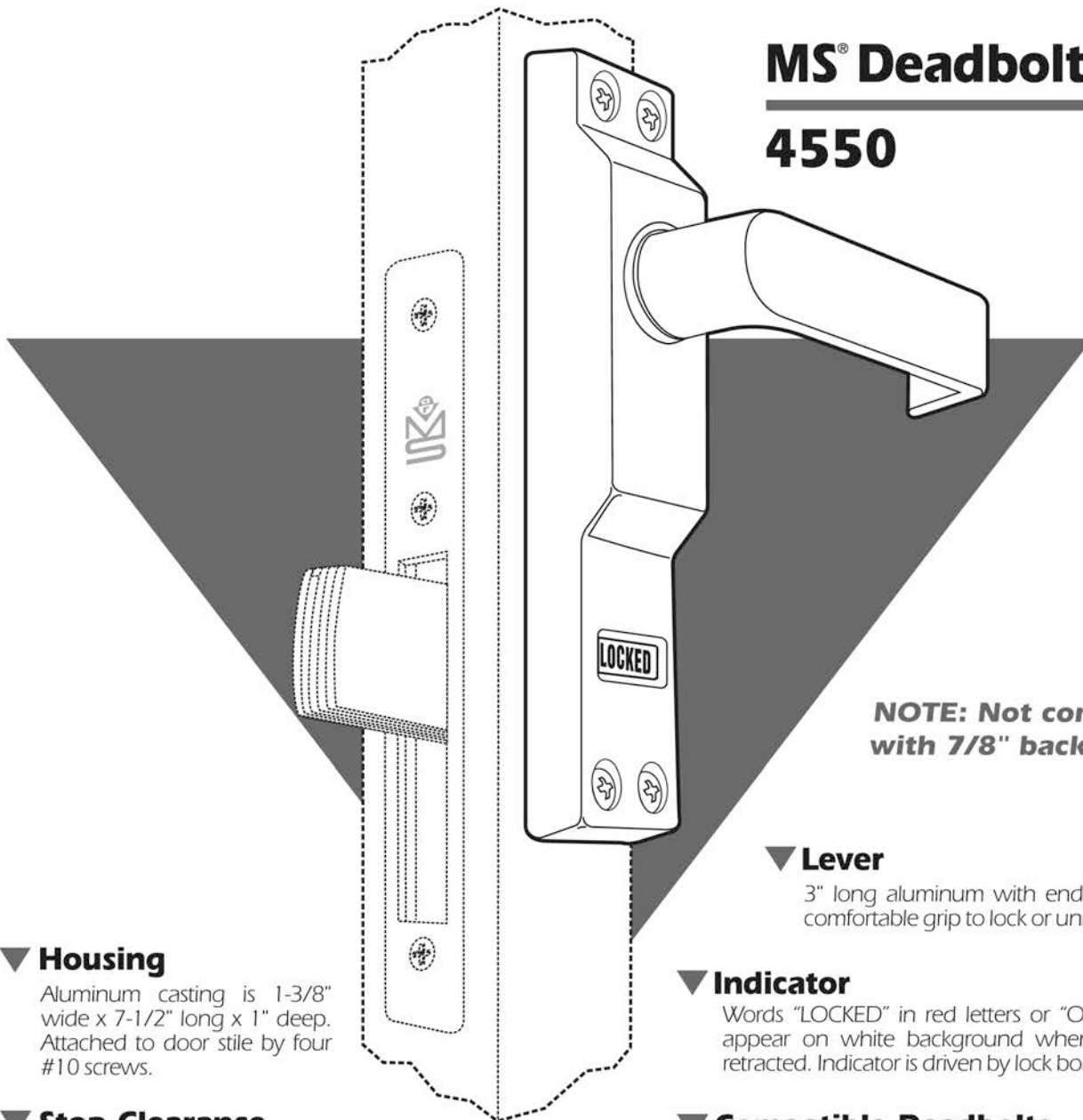
Zinc alloy with Black Ritecoat finish. Houses steel operating mechanism. Secured to door stile with special binder posts that extend into the escutcheon to rigidly resist torque loads in any direction.

▼ Operation

Available in four modes: Push to left, Push to right, Pull to left and Pull to right.

MS® Deadbolt Lever

4550



NOTE: Not compatible with 7/8" backset locks

▼ Housing

Aluminum casting is 1-3/8" wide x 7-1/2" long x 1" deep. Attached to door stile by four #10 screws.

▼ Stop Clearance

Lever housing projects 11/16" forward of cylinder backset centerline. Depending on height of door stop and width of door/jamb gap, it may be necessary to modify the stop to clear the housing. (For fin type stops, this is easily accomplished.) Hollow stops may preclude use of lever.

▼ Function

Easy unlocking of any MS® deadbolt by approximately 3 lbs. downward force on a 3" lever. Lever is spring loaded to horizontal, relocks with upward motion. Indicator signals lock status. Can be installed in place of existing key cylinder or cylinder type thumbturn on inside of door.

▼ Lever

3" long aluminum with end-return design offers comfortable grip to lock or unlock.

▼ Indicator

Words "LOCKED" in red letters or "OPEN" in black letters appear on white background when lock is thrown or retracted. Indicator is driven by lock bolt itself.

▼ Compatible Deadbolts

Any MS® pivoted bolt deadbolt including "Schoolhouse" versions can be fitted with the 4550: MS1850S, MS1950, MS1837, etc. Derivative units such as 1870, 1870HM or 1877 flushbolts (bolt into threshold) are also operable by the 4550 lever. Not compatible with MS+1890 latchlock or with 7/8" backset locks.

▼ Operation

Turn lever downward 90° to unlock. When released, lever returns to horizontal. Turn lever upward 90° to relock. Key operation from outside is not affected. Clutching action prevents damage to internal components.



ELECTRIC STRIKES

VOLTAGE

Available in 12 or 24 volt AC and DC. DC Continuous units are silent, AC intermittent units "buzz" on operation.

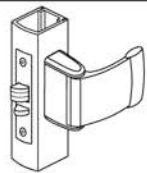
CURRENT DRAW/AMPS

Volts	AC Int.	DC Cont.
12	1.42	.33
24	.74	.17

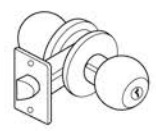
7100, 7101

ANSI/BHMA Type EO9321 (Grade 1)

LATCH TYPE



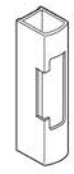
Adams Rite or Cylindrical Latches with 1/2" to 5/8" Projection.



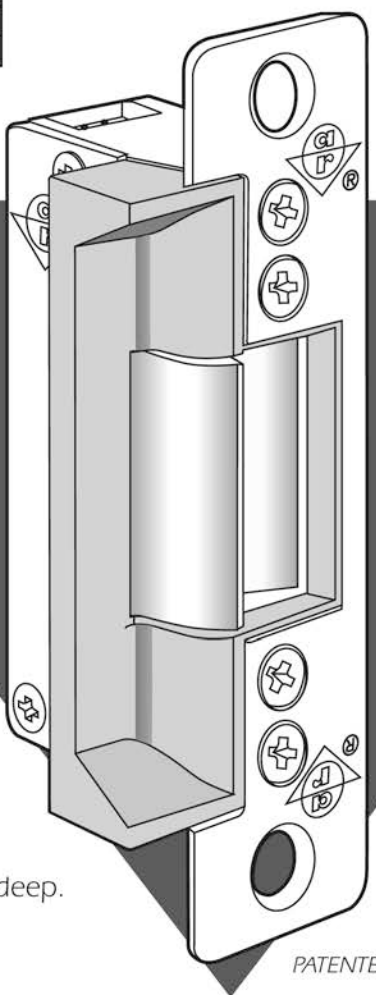
DOOR FRAME TYPE



7100
Aluminum Jamb



7101
Aluminum Stiles



PATENTED

UL Listed for Burglary Resistance

▼ Case

Approx. 1" x 3-3/8" x 1-5/8" deep. Zinc-aluminum alloy.

▼ Strike Lip

Basic 7100 strike has lip of proper length for 1-3/4" thick door that closes flush with jamb edge. Where door thickness or jamb shape differs from this standard relationship, extended lip available, specified by last dash number. (Not available on 7101.)

▼ Fail Safe/Fail Secure

Field convertible from one mode to the other. However, AC intermittent solenoid must not be used continuously in either.

▼ Strike Opening

5/8" x 1-7/16" x 1/2" deep. Bolt retainer jaw is stainless steel. Strike accepts bolt of any Adams Rite 4500/4700/4900 Series deadlatch or cylindrical latches.

▼ Faceplate

Measures 1-1/4" x 4-7/8". 7100 has flat faceplate; 7101 is radiused to match nose on inactive leaf in a pair of narrow stile glass doors. Available in a wide range of architectural finishes.

▼ Function

Remote electrical control of any door equipped with an Adams Rite Series 4500/4700/4900 (or similar) deadlatch or "key-in-knob" sets. Electrical actuation unlocks strike jaw, releasing latchbolt so door can be opened without operating latch itself. Extremely compact mechanism fits into aluminum jamb (or opposing door) sections as shallow as 1-5/8". Fits prep for 7500/7800/7000 Series.



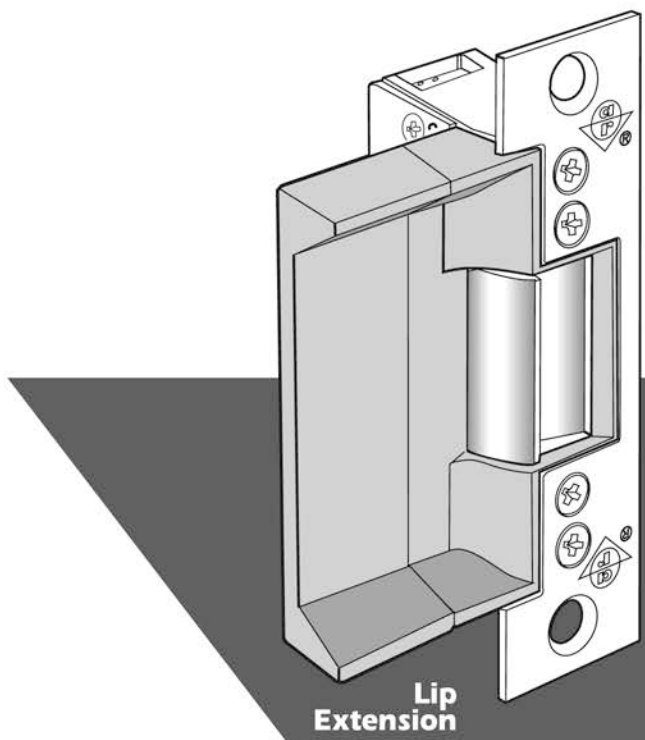
260 Santa Fe Street
Pomona, California 91767
(800) 872-3267 Fax:(800) 232-7329
www.adamsrite.com



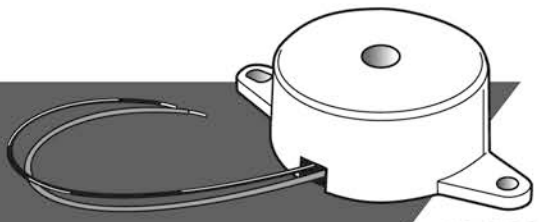
ELECTRIC STRIKES

Options & Accessories

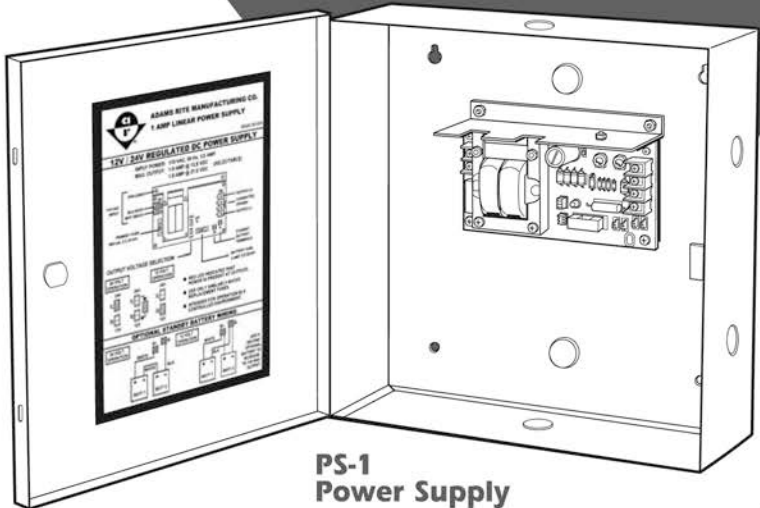
For Adams Rite Strikes



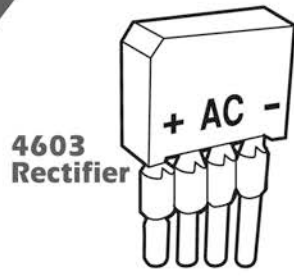
Lip Extension



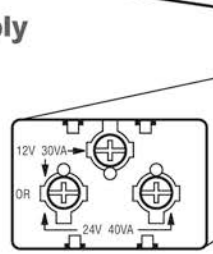
29-0218 Piezo Horn



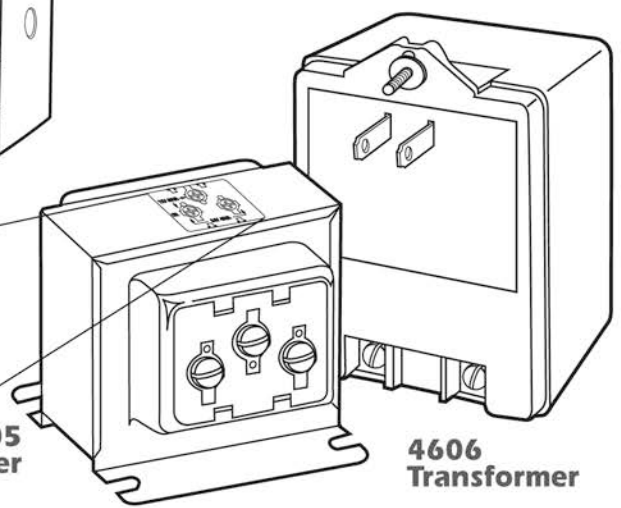
PS-1 Power Supply



4603 Rectifier



4605 Transformer



4606 Transformer



260 Santa Fe Street
Pomona, California 91767
(800) 872-3267 Fax: (800) 232-7329
www.adamsrite.com

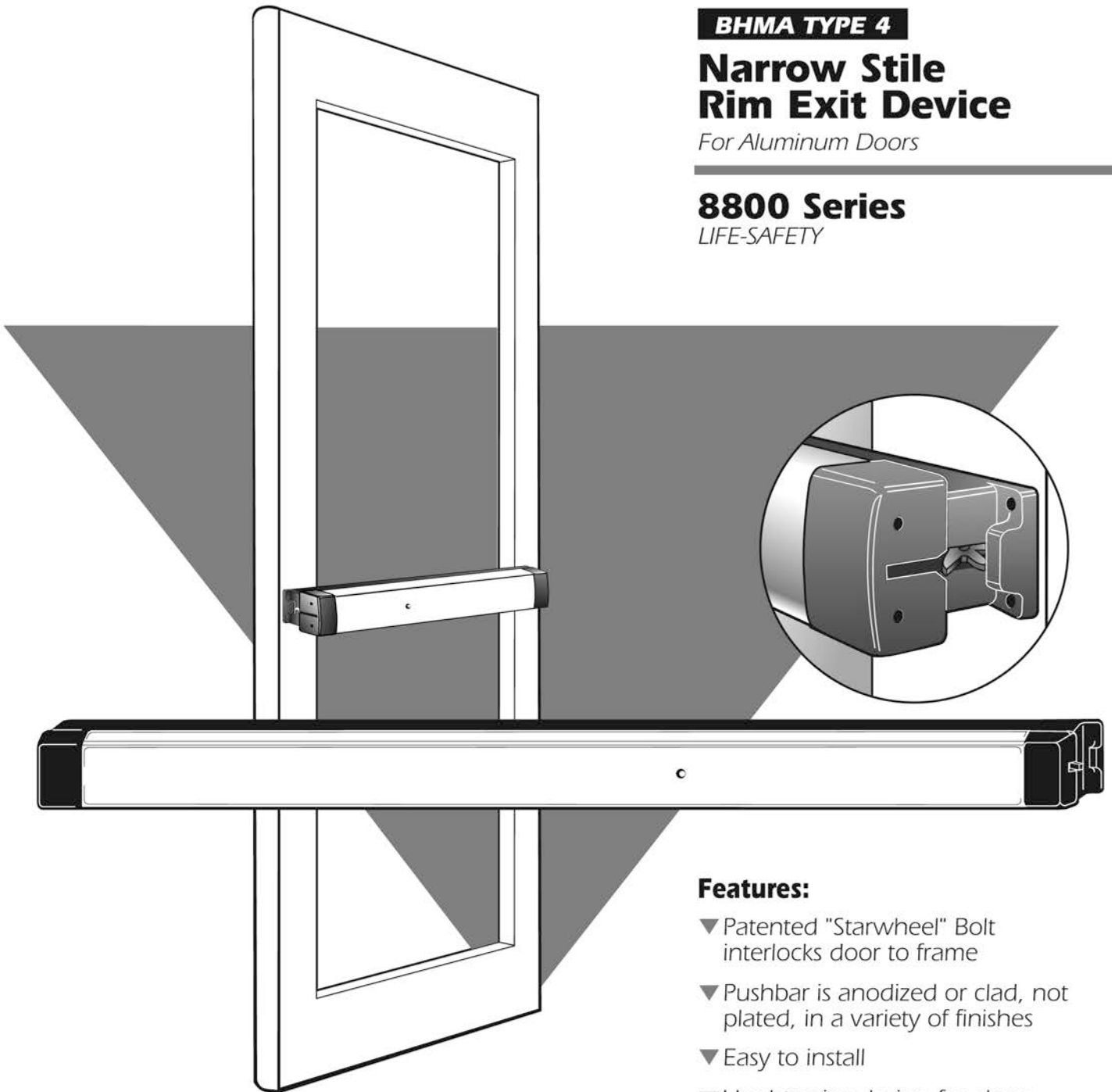
BHMA TYPE 4

Narrow Stile Rim Exit Device

For Aluminum Doors

8800 Series

LIFE-SAFETY



CERTIFICATIONS:

 Life-Safety Listing
ANSI/BHMA A156.3 Grade 1
California State Fire Marshall
New York City MEA*
*Consult factory for specific number

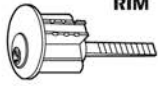




Features:

- ▼ Patented "Starwheel" Bolt interlocks door to frame
- ▼ Pushbar is anodized or clad, not plated, in a variety of finishes
- ▼ Easy to install
- ▼ Unobtrusive design for clean sight lines
- ▼ Strong, durable construction for a high level of security

Trim & Function

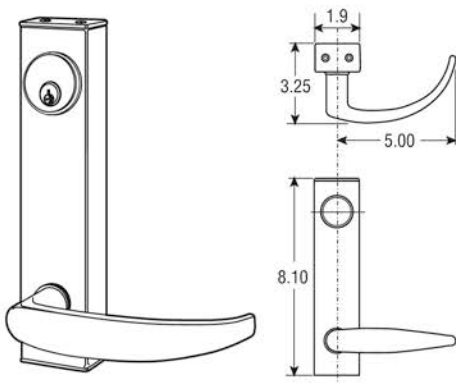
Narrow Stile Rim Exit Device

ANSI/BHMA Functions:

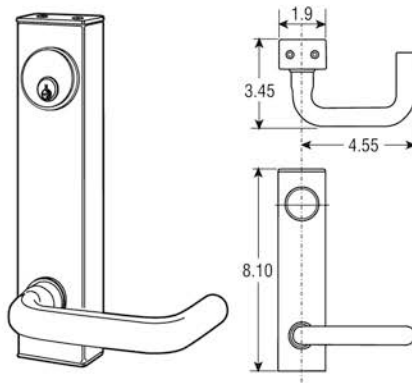
01	02	03	08	09	11	12	14
EXIT ONLY- NO TRIM	PULL ONLY WHEN DOGGED FIXED PULLS BY OTHERS	KEY RETRACTS LATCHBOLT NL FIXED PULLS BY OTHERS	KEY LOCKS LEVER	KEY LOCKS LEVER NL	KEY LOCKS THUMBTURN	KEY LOCKS THUMBTURN NL	PASSAGE SET
CYLINDER TYPE							
N/A	N/A	 RIM	 MORTISE	 MORTISE	 MORTISE	 MORTISE	N/A

NL - Night Latch

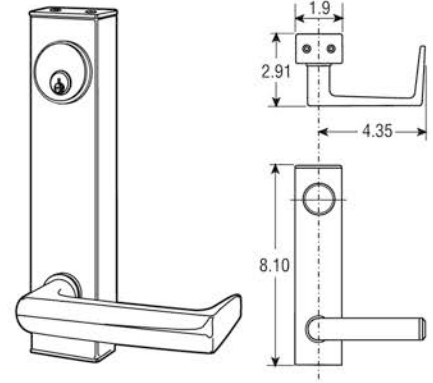
Clutch Lever Entry Trim



Modern Model 3081

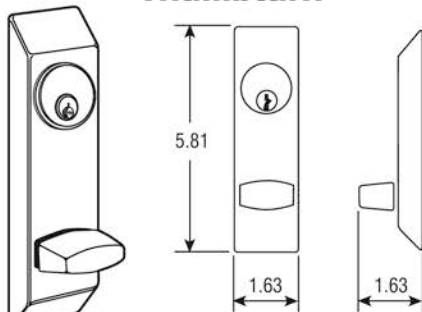


Tubular Model 3082



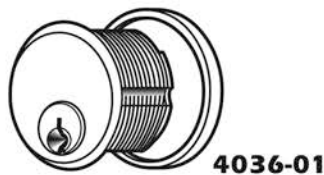
Traditional Model 3083

Thumbturn



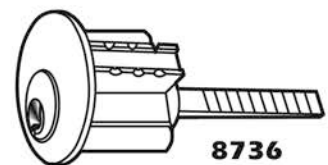
Model 8066

Mortise Cylinder



Standard diameter five-pin unit with MS® cam, suitable for use with Entry Trim on Rim exit devices. All brass construction with front "scalp" available in finishes 628, 313 and 335. Available in quantity all keyed different (KD), in pairs (KA2) or fifty alike (KA50). Any other make standard Mortise cylinder with MS® cam can be used to "key in" with existing systems.

Rim Cylinder



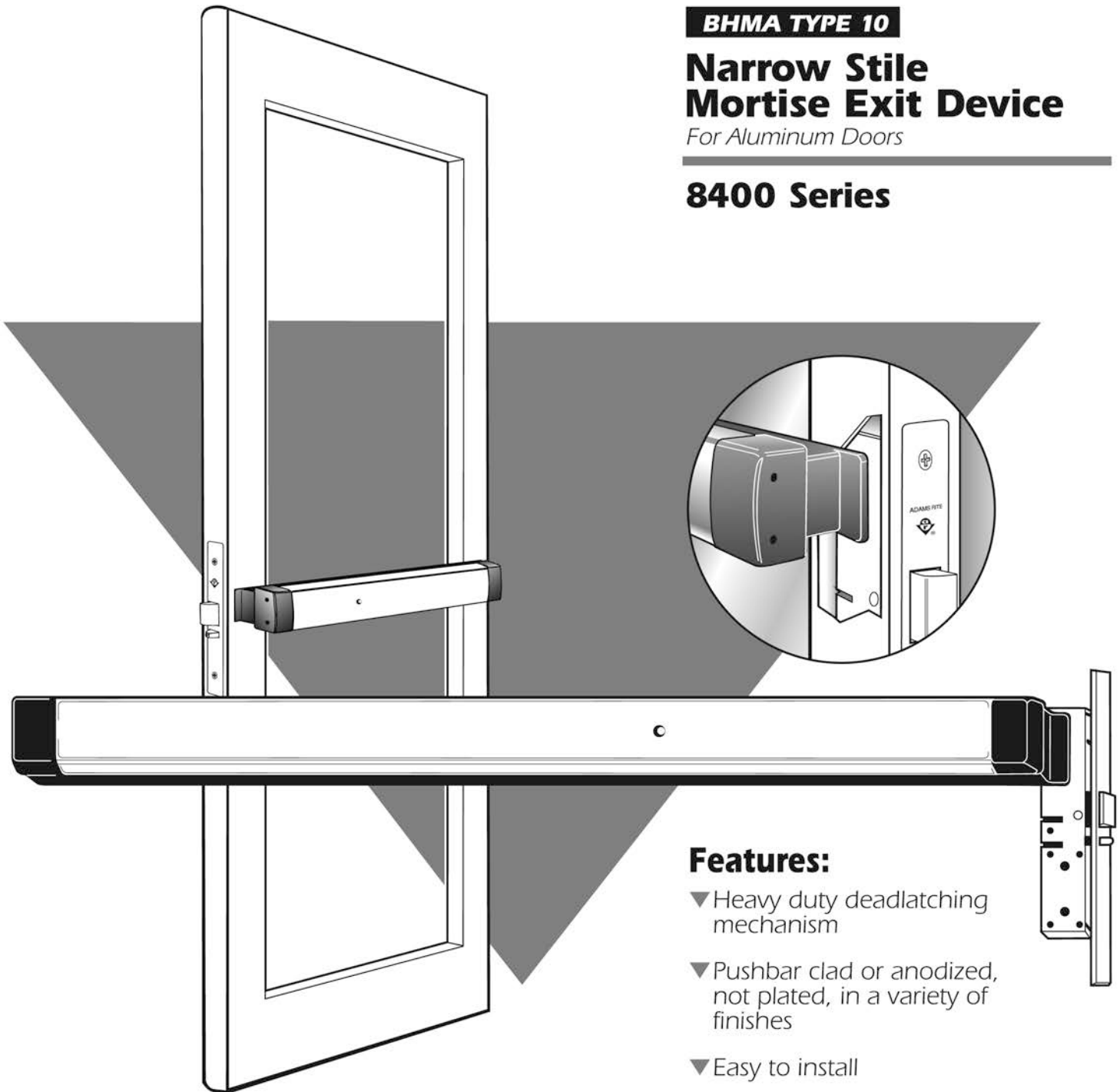
Standard five-pin unit with spindle to suit Rim exit devices. All brass with same choices of keying as Mortise cylinder. Available in finishes 628, 313 or 335. Any other make standard Rim cylinder can be used to key in with existing systems. Note that if entry trim is specified for cylinder use, the cylinder must be Mortise type, regardless of exit device.

BHMA TYPE 10

Narrow Stile Mortise Exit Device

For Aluminum Doors

8400 Series



CERTIFICATIONS:

Life-Safety Listing
ANSI/BHMA A156.3 Grade 1
California State Fire Marshall
New York City MEA*

*Consult factory for specific number

Features:

- ▼ Heavy duty deadlatching mechanism
- ▼ Pushbar clad or anodized, not plated, in a variety of finishes
- ▼ Easy to install
- ▼ Clean, unobtrusive design
- ▼ Strong, durable construction for a high level of security

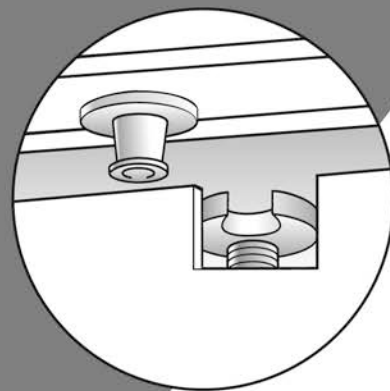
BHMA TYPE 6

Narrow Stile Concealed Vertical Rod Exit Device

For Aluminum Doors

8600 Series

LIFE-SAFETY



Also available
for a Midpanel
door design

CERTIFICATIONS:

UL Life-Safety Listing
ANSI/BHMA A156.3 Grade 1
California State Fire Marshall
New York City MEA*

*Consult factory for specific number

Features:

- ▼ Patented top latching mechanism interlocks door to frame
- ▼ Top and bottom adjustable steel rods
- ▼ Pushbar anodized or clad, not plated, in a variety of finishes
- ▼ Easy to install
- ▼ Clean, unobtrusive design
- ▼ Strong, durable construction for a high level of security

